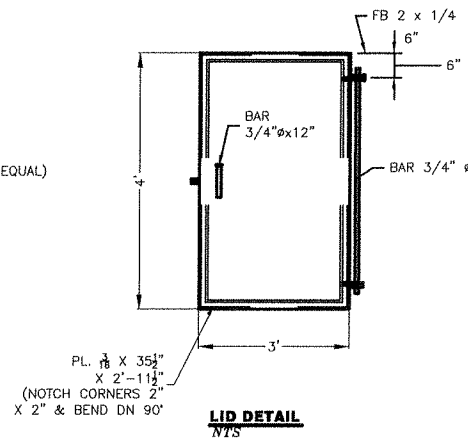


NOTE:
 1. ALL PLUMBING SHALL BE STAINLESS STEEL OR BRASS, WITH FORD BALL VALVE AND FIRE HOSE CONNECTION.
 2. 2" WATER SERVICE IS REQUIRED AT ALL LIFT STATION LOCATIONS. CITY WILL DESIGNATE SERVICE LOCATION.
 3. ALL LIFT STATION SPECIFICATIONS MUST BE APPROVED BY THE CITY PRIOR TO FINAL DESIGN.

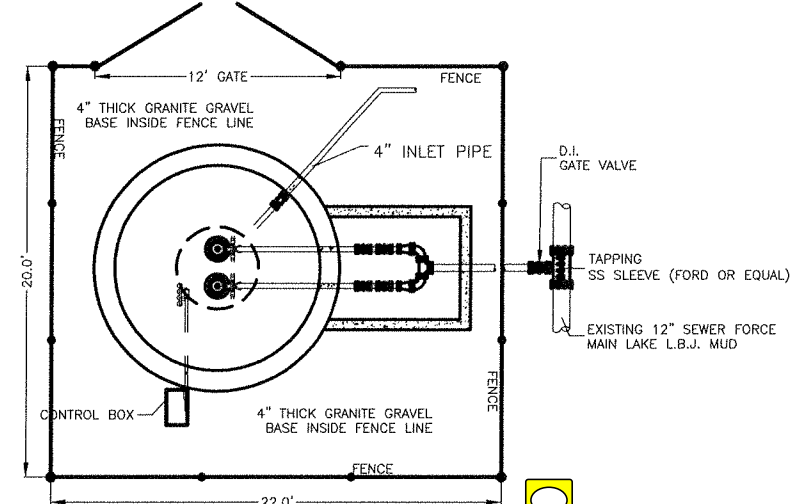
LIFT STATION
 PLAN VIEW---NTS

D.I. = DUCTILE IRON
 SS = STAINLESS STEEL

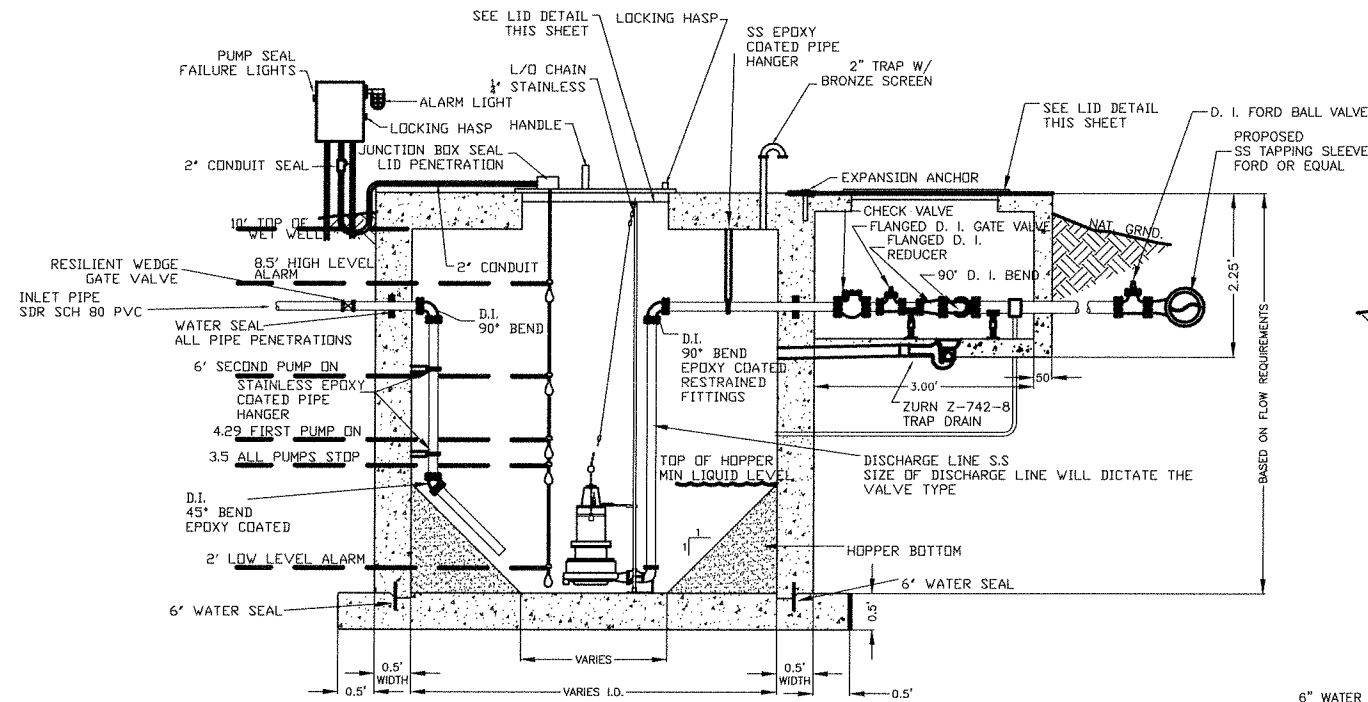
NOTE
 ALL ALUMINUM CONSTRUCTION



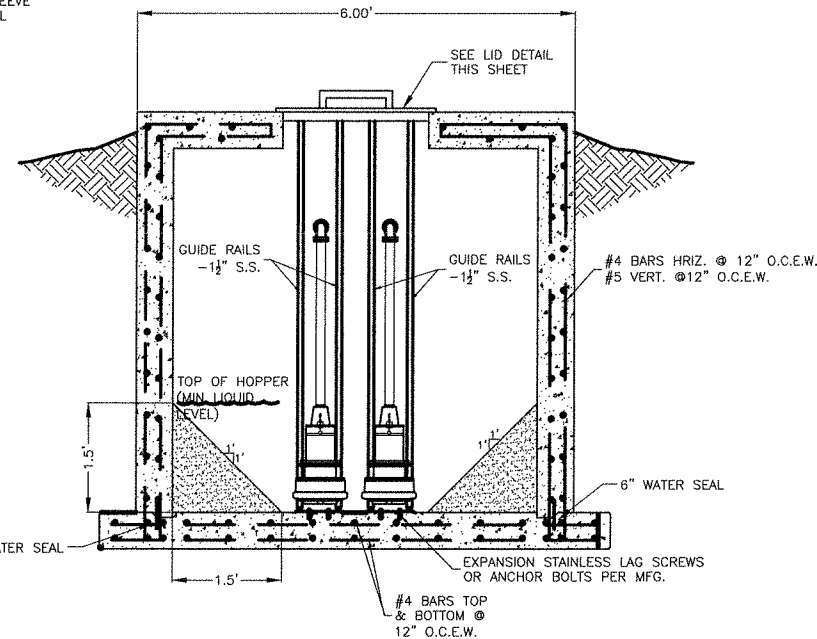
LID DETAIL
 NTS



LIFT STATION
 SITE DETAIL---NTS



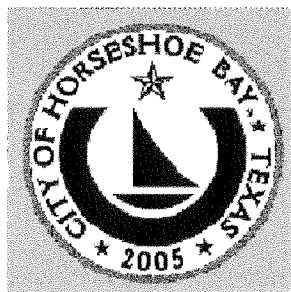
LIFT STATION
 SECTION A---NTS



LIFT STATION
 SECTION B---NTS

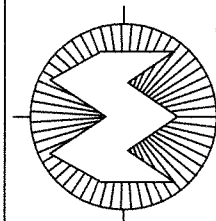
NOTES:

1. ALL LIFT STATION SHALL BE UNDERGROUND.
2. ALL CONCRETE LIFTSTATION SHALL BE EPOXY LINED.
3. TELEPHONE WITH AUTODIVIDER.
4. ALL CONTROLLED SHALL BE MILDTRONIX.
5. ALL LIFTSTATIONS SHALL HAVE A TWO INCH WATER SERVICE.
6. ALL RESTRAINED FITTINGS.



City of
 Horseshoe Bay

LIFT STATION
 DETAIL
 NOT TO SCALE



Willis Environmental
 Engineering, Inc.
 CONSULTING ENGINEERS
 TX REGISTRATION NO. F-2782

310 MAIN STREET, MARBLE FALLS, TEXAS 78654

• (830) 693-3566 • FAX (830) 693-5362 • e-mail: tplumlee@willis-engineering.com